

(((APC))) Automation Systems

APC-RX2-ML-NONC Two Channel Dual Function Receiver

Specifications:

- 433.92Mhz Rolling Code
- Dual Mode Receiver with momentary and latching modes
- Normally Open and Normally Closed circuits
- Supports 12-24V AC/DC
- Single Remote Delete or Full Format

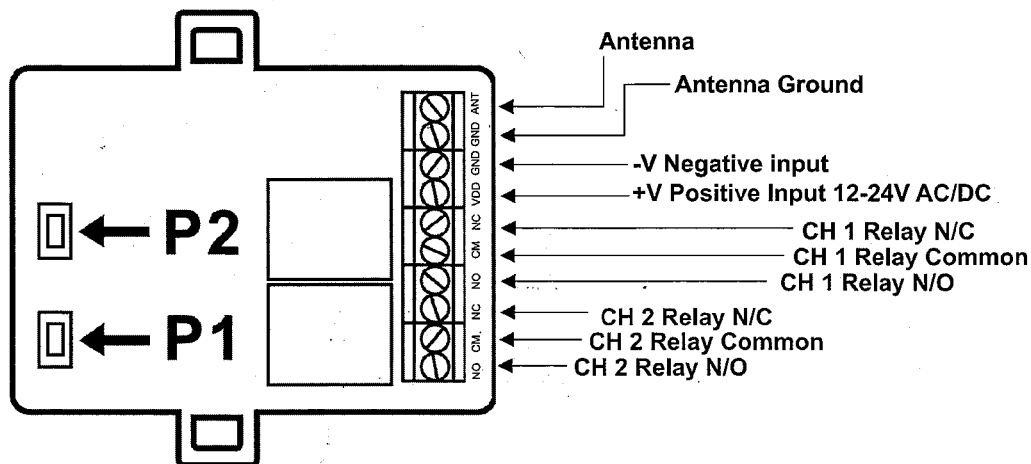
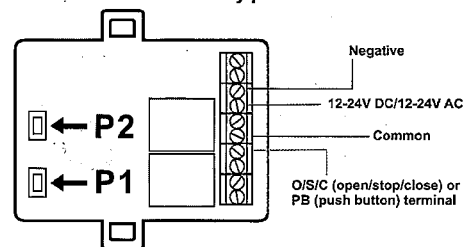
Compatibility:

- APC-RC4S
- APC-RC4SV
- APC-RC400
- APC-RC450
- APC-KP2W

General example of connection to a garage door

PLEASE NOTE: This is a basic example, refer to your owners manual for correct connection terminals

Pair transmitter to Momentary pulse CH 1



Note to all APC-KP2W wireless keypad users

The steps below will ask for you to press your transmitter, in your case you must enter the pin code and press #.

Pairing for a Momentary Pulse

Used for garage doors, automatic gates, alarms etc.

Momentary Pulse for CH 1

1. Press P1 ONE TIME and wait for the single flash from the LED
2. Now press the button on the transmitter you wish to use for this function.

Repeat for all required transmitters.

Momentary Pulse for CH 2

1. Press P1 TWO TIMES and wait for the two flashes from the LED
2. Now press the button on the transmitter you wish to use for this function.

Repeat for all required transmitters.

Pairing for a Latching Circuit

Used for breaking sensor circuits, turning on and off a device etc.

Latching Circuit for CH 1

1. Press P1 THREE TIMES and wait for the three flashes from the LED
2. Now press the button on the transmitter you wish to use for this function.

Repeat for all required transmitters.

Latching Circuit for CH 2

1. Press P1 FOUR TIMES and wait for the four flashes from the LED
2. Now press the button on the transmitter you wish to use for this function.

Repeat for all required transmitters.

Deleting ONE specific transmitter

1. Press and HOLD P2 for 3 Seconds.
2. Upon releasing P2 the LED will turn on
3. Press the transmitter button you wish to delete
4. If followed correctly the led should flash TWICE for confirmation.

Deleting ALL transmitter

1. Press and HOLD P2 for 10 Seconds, the LED should turn ON.
2. Press the transmitter button you wish to delete
3. If followed correctly the led should flash TWICE for confirmation.