



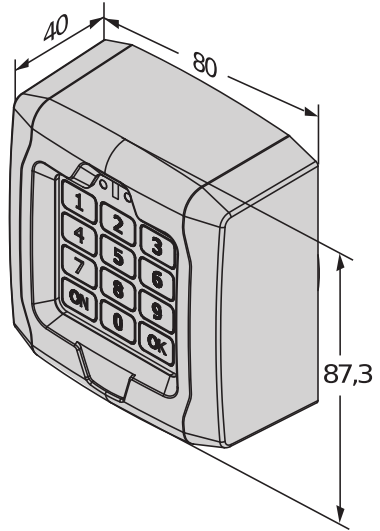
Be ahead



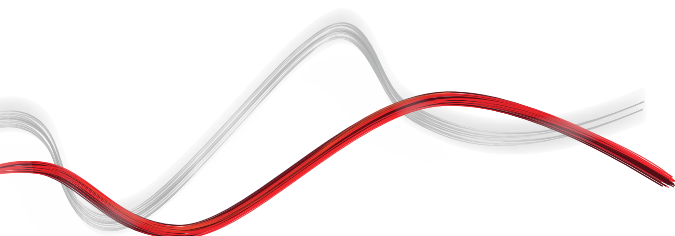
# Q.BO



## Switches for automatic gates, entrances and electric appliances



New range of key selectors  
 Also available in vandalproof version with metal shell  
 The Q.bo range also includes the Q.BO TOUCH wireless keypad



## Switches for automatic gates, entrances and electric appliances

### Q.BO

Code	Ci	Name	Description
P121025	2600835	Q.BO PAD	Vandalproof digital push-button panel, for outdoor use. Metal structure and s/steel buttons. Compatible with WIEGAND protocol, it ensures maximum system safety as it does not directly control the opening of the entry point. Combines with a WIEGAND receiver.
P121024	2600834	Q.BO TOUCH	Wireless digital touch button panel 433 MHz rolling code. Combines with control units fitted with built-in Bft receivers or external Bft receivers.
P121023	2600833	Q.BO KEY WM AV	Vandalproof key selector with metal structure, vandal-proof structure
P121022	2601396	Q.BO KEY WM	Key selector for outdoor use with double contact, vandal-proof structure

	Q.BO PAD	Q.BO TOUCH	Q.BO KEY WM AV	Q.BO KEY WM
Voltage	12/24 V	12/24 V		
Number of batteries		2		
Battery type		CR123A		
Frequency		433 MHz		
Protection rating	IP44	IP55	IP44	IP44

### RECOMMENDED ACCESSORIES

 <p><b>Cp</b> P111467 - <b>Ci</b> 2611262 <b>B EBA WIE INPUT/OUTPUT</b></p> <p>Expansion card for connection of WIEGAND accessories, compatible with U-Link control units</p>	 <p><b>Cp</b> P903026 - <b>Ci</b> 2611471 <b>PHP3</b></p> <p>Pair of aluminium columns for Q.bo series selectors. Height 1038 mm</p>
 <p><b>Cp</b> D113674 00001 - <b>Ci</b> 2600578 <b>CLONIX 2E</b></p> <p>External two-channel 433 MHz rolling code receiver. 128 position memory. 24 V power supply.</p>	 <p><b>Cp</b> D113718 00002 - <b>Ci</b> 2600581 <b>CLONIX 4 RTE</b></p> <p>External 4-channel 433 MHz rolling code receiver. 230 V power supply.</p>

Switches for automatic gates, entrances and electric appliances

# EasyAXS

EASY CONNECT. EASY ACCESS.



The new connectivity solution which boosts the potential of BFT products and services to make access automations smarter and easier to use for both installers and end users.



Switches for automatic gates, entrances and electric appliances

### EASY TO CONNECT

WIFI MODULE



→ 10/15 metres

WIFI MODULE + ANTENNA



→ 20/25 metres

MOBILE MODULE + ANTENNA + SIM



→ ∞



**PLUG&PLAY  
INSTALLATION**



**ALWAYS  
CONNECTED**



**EVEN MORE  
CONNECTIVITY**



**EASY TO SET UP  
FOR INSTALLERS**



**EASY TO CONTROL  
FOR CUSTOMERS**



Switches for automatic gates, entrances and electric appliances



# U-LINK 2.0

AN UPDATED VERSION OF  
**U-LINK** TO GIVE YOU EVEN  
MORE FUNCTIONALITY



## Scalable

You can add as many devices as you want



## Intuitive

Easy to install and to use



## Functional

Settings can be controlled and firmware updated remotely using dedicated applications



## Practical

Works with or without an internet connection



## Flexible

It allows you to create groups of interconnected products

**U-Link**, the exclusive **BFT** technology platform has evolved to offer improved interaction with the latest generation of technological ecosystems. Its ability to interface with all home access automation access devices has been expanded, meaning it is now a very useful tool for installers. It is also a faster communication protocol with increased security for communicating information.

It allows you to save even more time, checking everything very easily and giving you even more peace of mind.

Switches for automatic gates, entrances and electric appliances

# U-SECURITY

## A NEW AND EVEN MORE SECURE RADIO PROTOCOL



### Secure

By transmitting data protected by a cryptographic key

**U-Security** is the new technology from **BFT** which incorporates encrypted rolling code thanks to the encryption key which masks the remote control code, meaning that it is impossible to clone a BFT remote control using another brand's model.

The functions of the **Er Ready** system are incorporated and a new procedure is also available for programming remote controls by scanning a QR CODE and using a special app. All products featuring this technology are **REPLAY**, so they can transmit the code to another BFT remote control using a combination of keys.



### Easy

Pairing a remote control with a receiver can be done easily by scanning the QR code and using the dedicated app



### Universal

The radio protocol is also compatible with the previous generation of receivers



INFORMATION REGARDING THE PROTECTION OF THE INDUSTRIAL AND INTELLECTUAL PROPERTY RIGHTS OF BFT. BFT S.p.A. protects its industrial property by depositing trademarks, patents, models and designs. The intellectual property of BFT S.p.A. is protected by copyright law. BFT S.p.A. also protects its know-how by taking measures to protect the technical and commercial information inherent in its company and products. All the products in this catalogue are ORIGINAL BFT MODELS and only BFT S.p.A. is authorised to produce them and market them anywhere in the world. All the commercial names in this catalogue are owned by BFT S.p.A., and only BFT S.p.A. is authorised to use them in relation to the corresponding merchandise category. **FALSIFIERS WILL BE PROCEEDED AGAINST IN ACCORDANCE WITH BOTH CIVIL AND CRIMINAL LAW. THESE CONDITIONS NOT ONLY GUARANTEE THE INTELLECTUAL PROPERTY RIGHTS OF BFT, BUT ALSO PROTECT CUSTOMERS BY GUARANTEEING THAT THE PRODUCTS THEY ARE PURCHASING ARE ORIGINAL BFT PRODUCTS RESULTING FROM STUDIES AND DESIGNS WITHIN THE BFT COMPANY.**