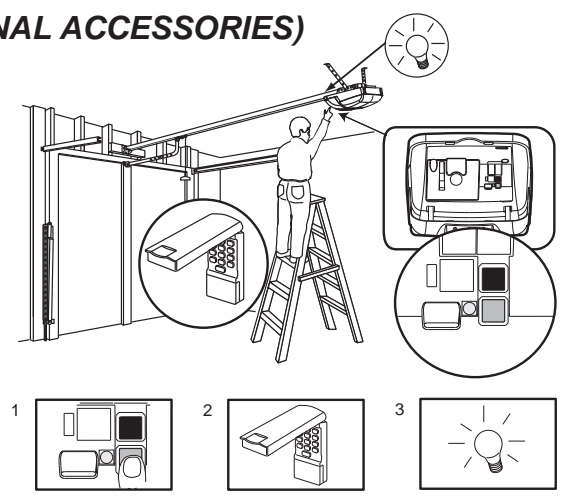


## 28 KEYLESS DEVICES PROGRAMMING (OPTIONAL ACCESSORIES)

**NOTE:** Your new Keyless Entry must be programmed to operate your garage door opener.

### Program the Receiver to Match Additional Transmitter Code Using the orange "LEARN" Button:

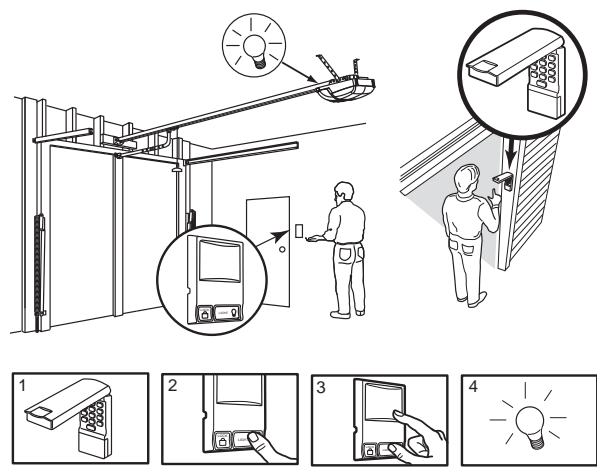
1. Press and release the orange "learn" button (1) on opener. The learn indicator light will glow steadily for 30 seconds.
2. Within 30 seconds, enter a four digit personal identification number (PIN) of your choice on the keypad (2), then press and hold the ENTER button.
3. Release the button when the opener light flashes (3). It has learned the code. If the light bulb is not installed, two clicks will be heard.



**NOTE:** This method requires two people if the Keyless Entry is already mounted outside the garage.

### Using the Motion Detecting Control Panel:

4. Enter a four digit personal identification number (PIN) of your choice on the keypad, then press and hold ENTER.
5. While holding the ENTER button, press and hold the LIGHT button on the Motion Detecting Control Panel.
6. Continue holding the ENTER and LIGHT buttons while you press the push bar on the Motion Detection Control Panel (all three buttons are held).
7. Release buttons when the opener light flashes. It has learned the code. If the light bulb is not installed, two clicks will be heard.



### PROGRAMMING C379 WIRELESS FINGERPRINT ACCESS SYSTEM (OPTIONAL ACCESSORY)

Full instruction are available with this accessory. Once you have enroled your user into the C379 you can program the unit into your opener.

#### Using the orange "LEARN" Button:

1. Press and release the orange "learn" button (1) on opener. The learn indicator light will glow steadily for 30 seconds.
2. Within 30 seconds, slide the cover of the C379 up as illustrated (A). Swipe your finger on the reader head at a steady speed (B) until the yellow led turns on (C).
3. When the opener light flashes (3). It has learned the code. If the light bulb is not installed, two clicks will be heard, ensure there are no obstructions in the path of the door, then press the Send button (D) to test the door.

**Slide the Cover plate up (A)**

**Swipe finger at steady speed (B)**

**Yellow LED will indicate successful swipe (C)**

**Test reader by pressing the send button (D)**

## 29 INSTALL DOOR CONTROL (OPTIONAL)



Locate door control where the garage door is visible, away from door and door hardware and out of the reach of children. Mount at least 1.5m (5 feet) above the floor  
 Serious personal injury from a moving garage door may result from misuse of opener. Do not allow children to operate the door control or transmitter.

Permanently fasten the caution label to the wall near the door control as a reminder of safe operating procedures.

There are 2 terminals (1) on the back of the door control (2). Strip about 6mm (1/4") of insulation from bell wire (4). Separate wires enough to connect the white/red wire to RED terminal screw 1 and the white wire to WHT terminal screw 2.

Fasten the door control to an inside garage wall with sheet metal screws (3) provided. Drill 4mm (5/32") holes and use anchors (6) if installing into plasterboard wall. A convenient place is beside the service door and out of reach of children.

Run the bell wire up the wall and across the ceiling to the garage door operator. Use insulated staples (5) to secure wire. The receiver quick connect terminals are located behind the light lens of the operator. Connect the bell wire to the terminals as follows: white/red to red (1) and white to white (2).

### Operation of the Door Control

Press to open or close the door. Press again to stop the door while moving.

