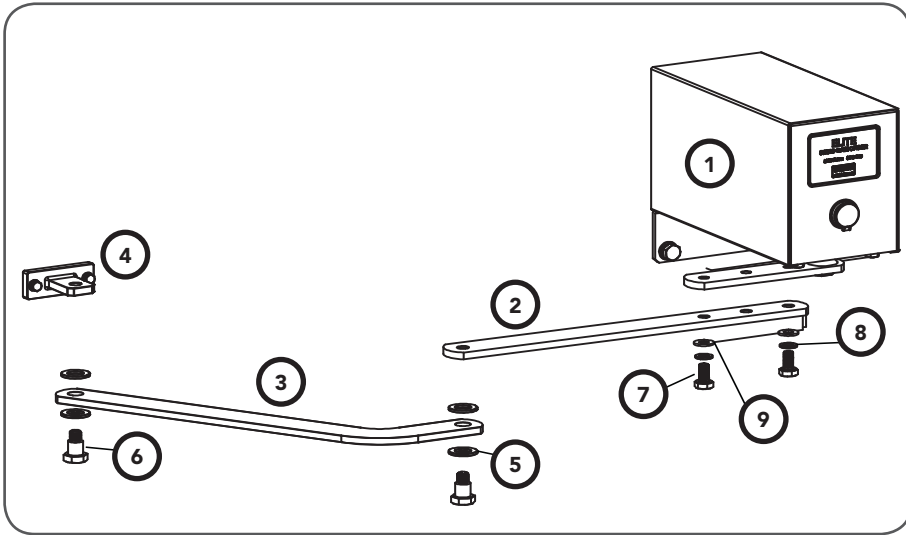


# SGO-1V4 Elite®

## Swing Gate Opener Installation Instructions



### Kit Contents

1. 1 x Gate Drive Unit SGO-1V4
2. 1 x Drive Arm Extension
3. 1 x Safety Slave Arm
4. 1 x Gate Mounting Bracket
5. 4 x Plastic Washer
6. 2 x Shoulder Screw 1615
7. 2 x Hex Head Screw M10 x 20
8. 2 x Spring Washer
9. 2 x Flat Washer

### Tools Required

- Adjustable Wrench
- Socket set
- Drill
- Screwdrivers
- Marker Pen

### Initial Check

Before commencing installation, check the following:

- a. The gate moves freely by hand for the full length of open and close travel.
- b. The pier or post for mounting must be of solid construction (Brick, solid timber or steel). It must bear most of the force applied by the drive unit.
- c. A weatherproof 240V 10A general purpose power point should be available within one metre of the pier/post. If two Elite® gate openers are required, provision for underground cabling should be made from one post to the other.
- d. Ensure sideroom clearance is adequate. If there is not enough sideroom available, the Minimum Sideroom Kit is required.

### Power Supply

Properly earthed 3 pin single-phase power is required.



**WARNING!** A portable power generator is not recommended due to spikes, surges and fluctuations in the supply.



**CAUTION:** do not use any cables which carry green/yellow wires as this signifies earth, and do not comply with electrical authority regulations.

### Mounting the Drive Unit

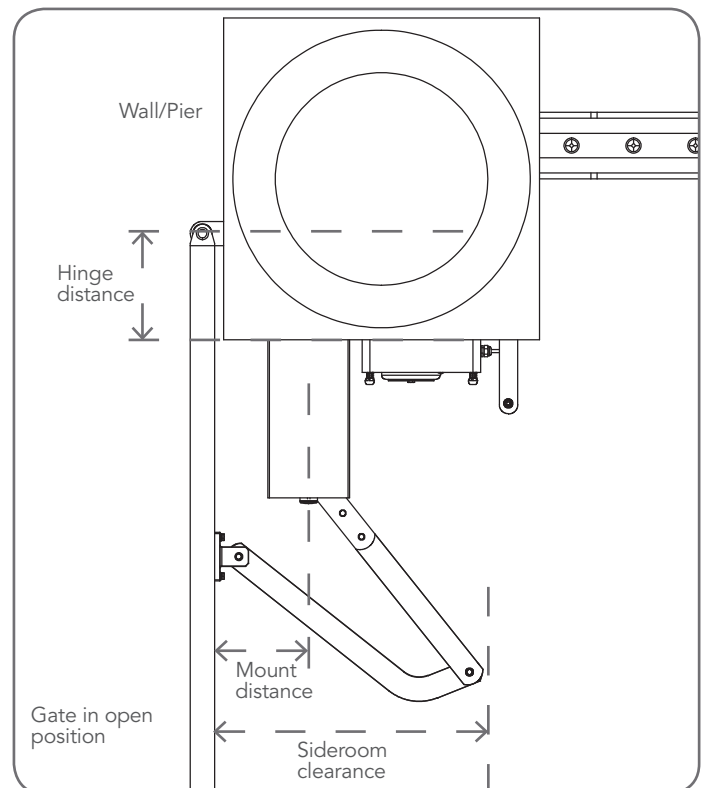
- a. The mount distance of the Drive Unit should be recorded. This value will be used later.
- b. The mount distance for the drive unit and the hinge distance for the gate can be selected to optimise the sideroom clearance.

**NOTE:** If the gateway slopes away from pier/post, make sure an allowance is made for clearance of the drive arm extension and slave arm to not touch the ground.

Mount Distance	Hinge Distance								
	0	50	100	125	150	180	200	220	mm
	<b>Sideroom clearance</b>								
90	470	470	470	470	470	470	465	460	mm
120	450	470	480	470	465	460	435	425	mm
140	470	465	470	465	460	440	420	390	mm
200	470	465	445	430	400	350	390	250	mm

- c. Mount drive unit using four (4) 10mm loxins or dynabolts and the mounting template within this document.
- d. Make sure that the Drive Unit is mounted at an appropriate height from the ground - allow minimum 35mm clearance for drive arm extension.

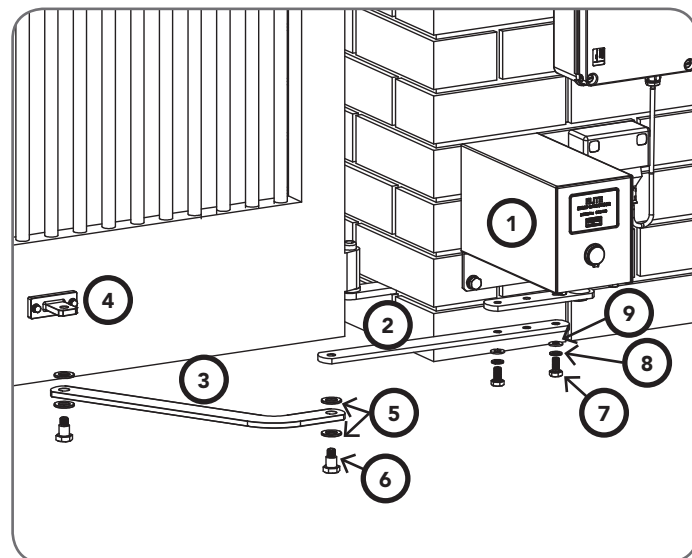
**NOTE:** If the gate is already installed, measure the hinge distance and use this table to optimise the mount distance.



# Installation

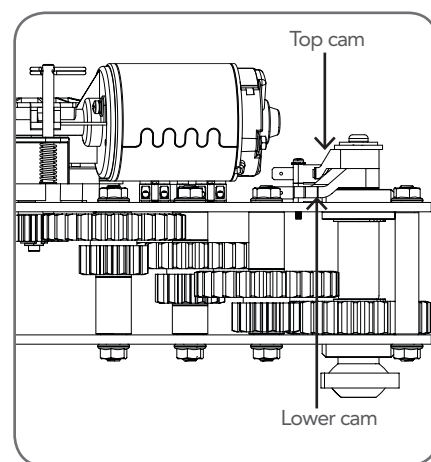
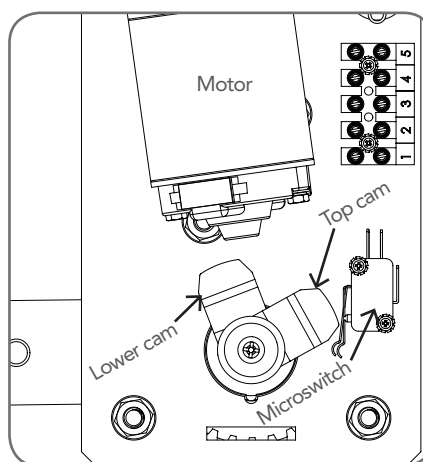
## Affixing Arms And Brackets To Gate

- Position gate in close position.
- Attach drive arm extension (2) to drive arm (fixed to the drive unit (1)), using two (2) Hex Head screws (7), spring (8) and flat washers (9).
- Attach slave arm (3) to drive arm extension (2) using two (2) plastic washers (5) and a shoulder screw (6).
- Assemble Gate Mounting Bracket (4) and Slave Arm (3) using the remaining shoulder screw (6) and two (2) plastic washers (5). Do not tighten yet.
- Extend arms out straight and mark position where the Gate Mounting Bracket touches the gate. From this mark, measure 10mm toward Drive Unit and mark again. This is where the Gate Mounting Bracket will be mounted.
- Remove the Gate Mounting Bracket (4) from the Slave Arm (3) and secure the Gate Mounting Bracket to the gate at second mark using appropriate screws (not supplied).
- Reassemble Slave Arm to Gate Mounting Bracket using the shoulder screw (6) and plastic washers (5). Secure firmly.



## For Right Hand Side Installation:

When gate is closed, turn lower cam in a **clockwise direction** until an audible click can be heard from the lower micro-switch. Open the gate to the required opening position and turn top cam in an **anticlockwise direction** until a click can be heard from top micro-switch. Once the cams are set to desired limit, tighten the screws.



## For Left Hand Side Installation:

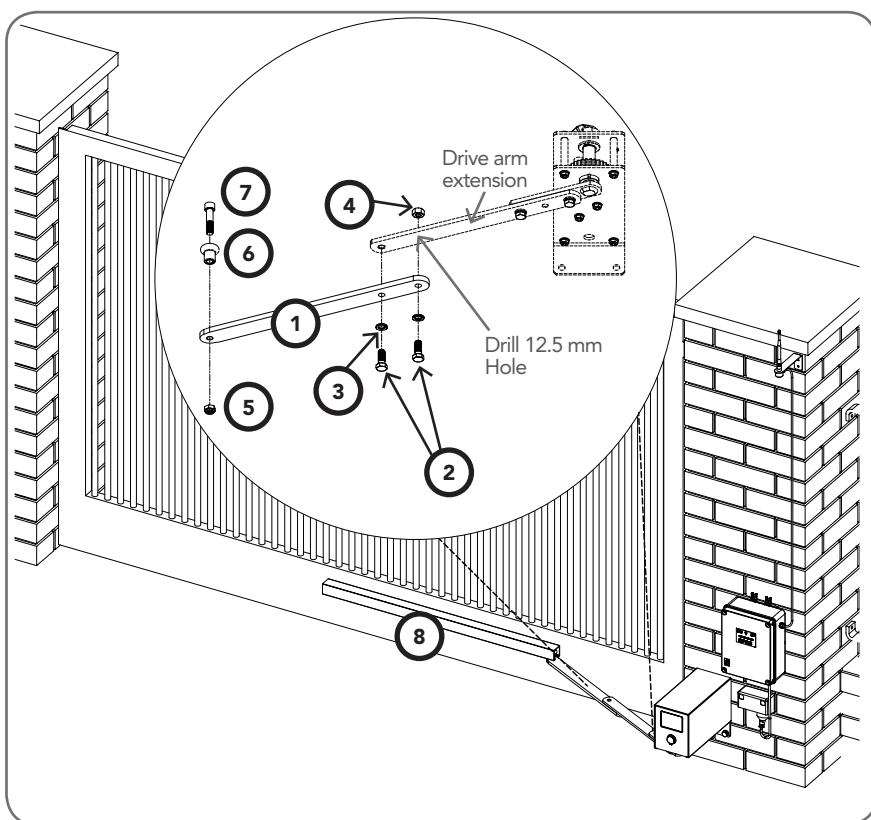
When gate is closed turn lower cam in an **anticlockwise direction** until an audible click can be heard from the lower micro-switch. Open the gate to the required opening position and turn top cam in a **clockwise direction** until a click can be heard from lower micro-switch. Once the cams are set to desired limit, tighten the screws.

## Fitting Minimum Sideroom Kit

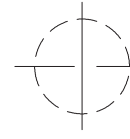
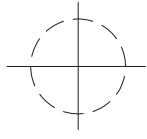
If you have limited sideroom, an optional minimum sideroom kit reduces the gate opener's required sideroom to the width of the drive unit (135mm). (ATA Order code 90182).

- Drill Ø12.5 hole in the Elite® Drive Arm Extension (use hole in the minimum sideroom kit extension arm (1) as a guide).
- Secure the extension arm (1) onto the Elite® drive arm extension with two (2) Hex M12 x 30 screws (2) and two (2) spring washers (3). Fit a Hex M12 Nut (2) to the end of the screw in the new hole that has been drilled.
- Check that the screws are tight.
- Check that the Drive Unit is disengaged and the gate is closed. Slide the Guide Track (8) over the idler (6) if you have previously removed. Locate Track on the gate and check travel of the Arm. The idler should always be inside the Guide Track in the closed and open positions.
- Secure the track to the gate (weld if possible).

**NOTE:** If a shorter arm is required, drill the drive arm extension and extension arm where appropriate. You should not have to cut the arms and you should still be able to use the pre-threaded hole in the drive arm extension.



# Mounting Template



## ELITE SGO-1V4 MOUNTING TEMPLATE

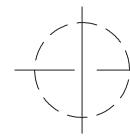
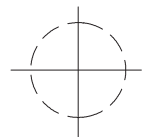
1. Place template on wall and drill four (4) holes using the centre point of each hole.



Datum Line  
for drive arm



28



# Important Safety Instructions

The safety alert symbols below indicate a personal safety or property damage instruction exists.  
**READ THESE INSTRUCTIONS CAREFULLY.**

This Elite® Swing Gate Opener is designed and tested to offer safe service provided it is installed and operated in strict accordance with the following safety rules. Failure to comply with the following instructions may result in death, serious personal injury or property damage.



## WARNING!

- The gate may operate unexpectedly, therefore do not allow anything to stay in the path of the gate.
- Do not disengage the gate opener to manual operation with children/persons or any objects including motor vehicles within the gateway.
- Remove or disengage all gate locks and mechanisms prior to installation of the opener.
- Make sure the gate is fully open before driving into or out of the driveway.
- When using auto close mode, a **Photo Electric beam** must be fitted correctly and tested for operation at regular intervals. **Extreme caution** is recommended when using auto close mode. **All safety rules** must be followed.

## ELECTROCUTION!



## CAUTION:

Entrapment from operating gate

- Do not immerse in or spray the Elite® or the Control box with water .
- **Disconnect the power cord** from mains power before making any repairs or removing covers. Only **experienced** service personnel should remove covers from the gate opener.
- If the power supply cord is damaged, it **must** be replaced by an Automatic Technology service agent or suitably qualified person.
- Connect the gate opener to a properly **earthed** general purpose 240V mains power outlet installed by a qualified electrical contractor.



Installation

Security

Entanglement in or laceration from moving gate

- **DO NOT** operate the gate opener unless the gate is in full view and free from objects such as cars and children/people. Make sure that the gate has finished moving before entering or leaving the driveway.
- Do not allow children to play with gate controls or transmitters.
- In order for the Elite® to **sense** an object obstructing the gateway, some **force** must be exerted on the object. As a result the object, gate and/or person may suffer **damage or injury**.
- Regularly check to make sure that the **Safety Obstruction Force** is working correctly, and is **tested** and set as per **Section 12 of this manual**. Failure to follow these instructions could result in **serious personal injury** and/or property damage. This test must be repeated at regular intervals and the necessary adjustments made as required.
- If using a key switch, keypad or any device that can operate the gate opener, make sure it is in a location where the gateway is visible, but out of the reach of children at a height of at least 1.5m.
- For **ADDITIONAL SAFETY** protection we **STRONGLY** recommend the fitting of a Photo Electric (Safety) Beam. In most countries Safety Beams are mandatory on all gates fitted with automatic openers.
- Ensure the gate(s) is in good working order . Faulty gates must be repaired by a qualified technician prior to Elite® installation.
- Frequently examine the installation and mountings for signs of wear, damage or imbalance. **DO NOT** use if repair or adjustment is needed since a fault in the installation or an incorrectly balanced gate may cause injury.
- Make sure that the gate is fully closed before leaving the driveway.
- Keep hands and loose clothing clear of gate at all times
- Keep clear of gate during operation as severe lacerations can occur on sharp edges of gate.

Supplied by: Dominator Garage Doors  
P: 0800 366 462 E: info@dominator.co.nz  
www.dominator.co.nz

**DOMINATOR®**