

# Waterproof Magnetic Lock for Electronic Sliding and Swing Gates.

**Elsema part No: ML02WP**

## Features

- Dual Voltage. 12/24VDC User selectable.
- Fully waterproof. For outdoor use
- Holding Force up to 270KG/600lbs
- Low standby current
- Corrosion free
- No noise
- No magnetism during power failure
- Built-in Voltage spike suppressor



## Application

- Sliding gates or swing gates
- Overhead doors or door entrance

## Description

The ML02WP is an electromagnetic lock which is designed to hold up to 270Kg force. The ML02WP magnetises when 12/24VDC is applied to the supply wires. The ML02WP is fully waterproof and is ideal for installation on outside electronic sliding or swing gates, doors etc.

The lock must be rigidly mounted to the gate post. The armature is designed to pivot slightly to compensate for reasonable misalignment.

Due to the wide diversity of gate designs custom mounting brackets may be necessary to facilitate the installation.

An optional L-Z bracket (LZ02) can be used to accommodate the majority of gate and door applications. The lock is mounted to the vertical gate post. The armature is mounted to the leading edge of the gate.

## Technical Data

<b>Power Source</b>	12 Volts DC	24 Volts DC
<b>Operating Current</b>	500mA	250mA
<b>Holding Force</b>	270Kg, 600lbs.	
<b>Output</b>	Reed switch output: Com, NO. Rated at 500mA at 30VDC/AC	
<b>Connections</b>	Striped wire	
<b>Shipping Weight (Including brackets)</b>	3500 grams	
<b>Dimensions</b>	<b>Lock</b>	225 x 40 x 24mm
	<b>Armature</b>	180 x 38 x 13mm

**Input Voltage selection/ Output**

**12VDC** : Connect Green and Black wires together for “-” (negative) 12VDC

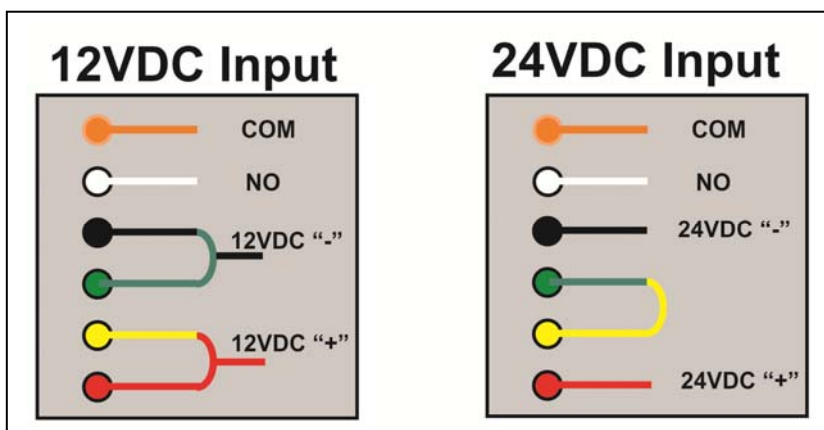
: Connect Red and Yellow wires together for “+” (positive) 12VDC

**24VDC** : Connect Green and Yellow together and supply 24VDC to Red and Black wires. Red for “+” and Black for “-”.

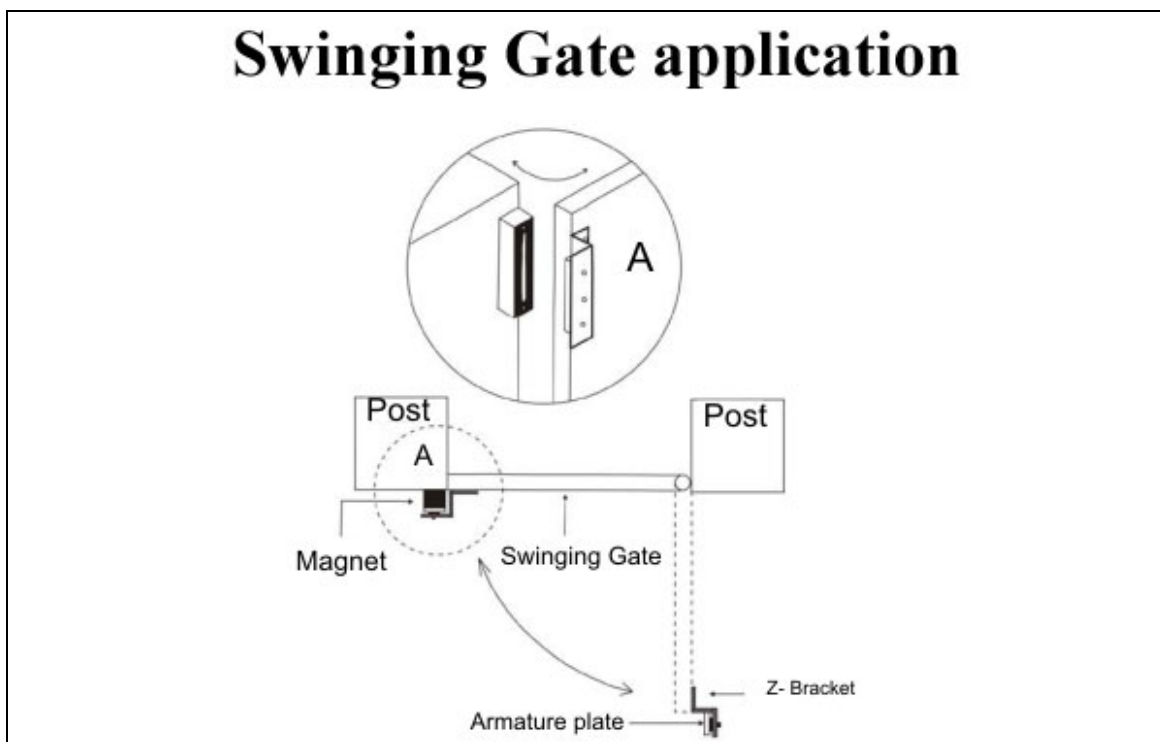
**Reed switch output (indicates when lock is active)**

Common: Orange

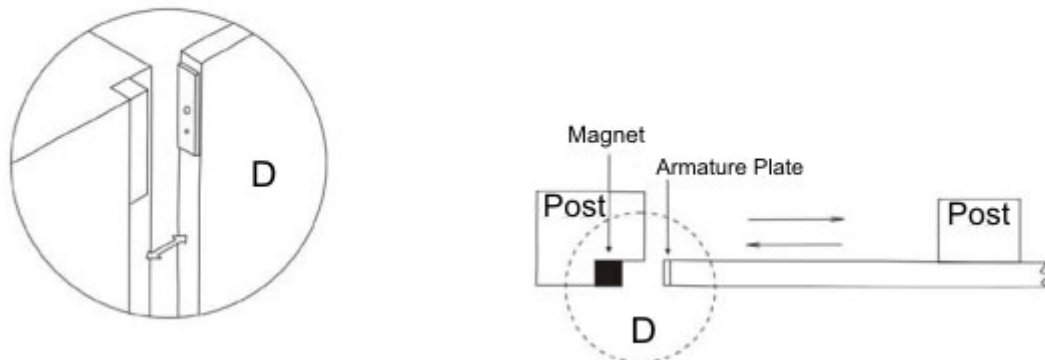
Normally open: White



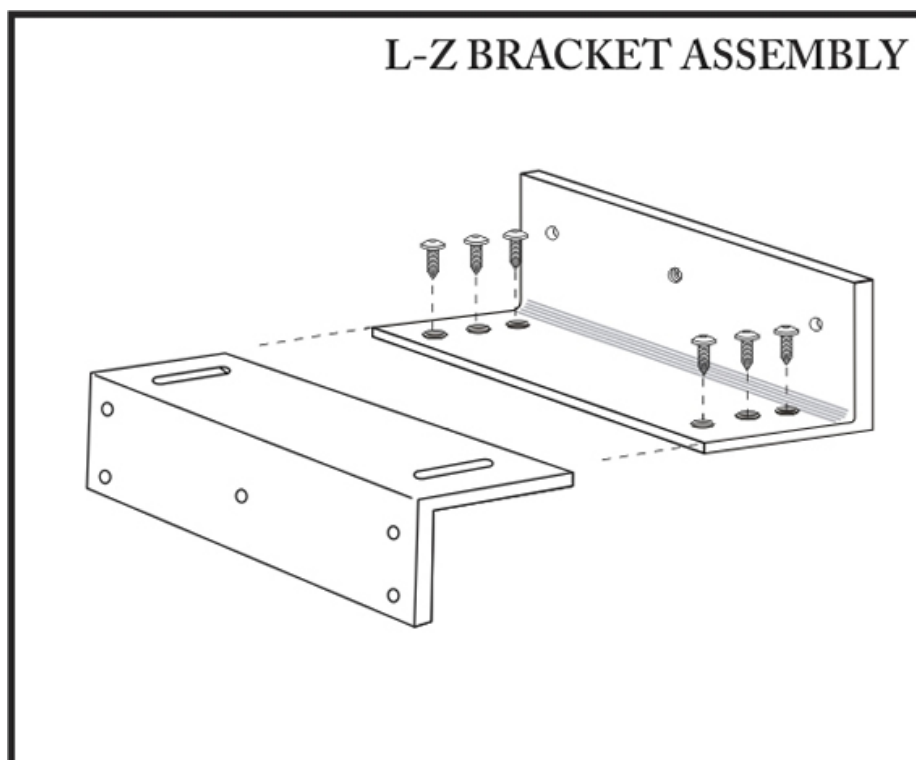
**Typical Installations for gates**

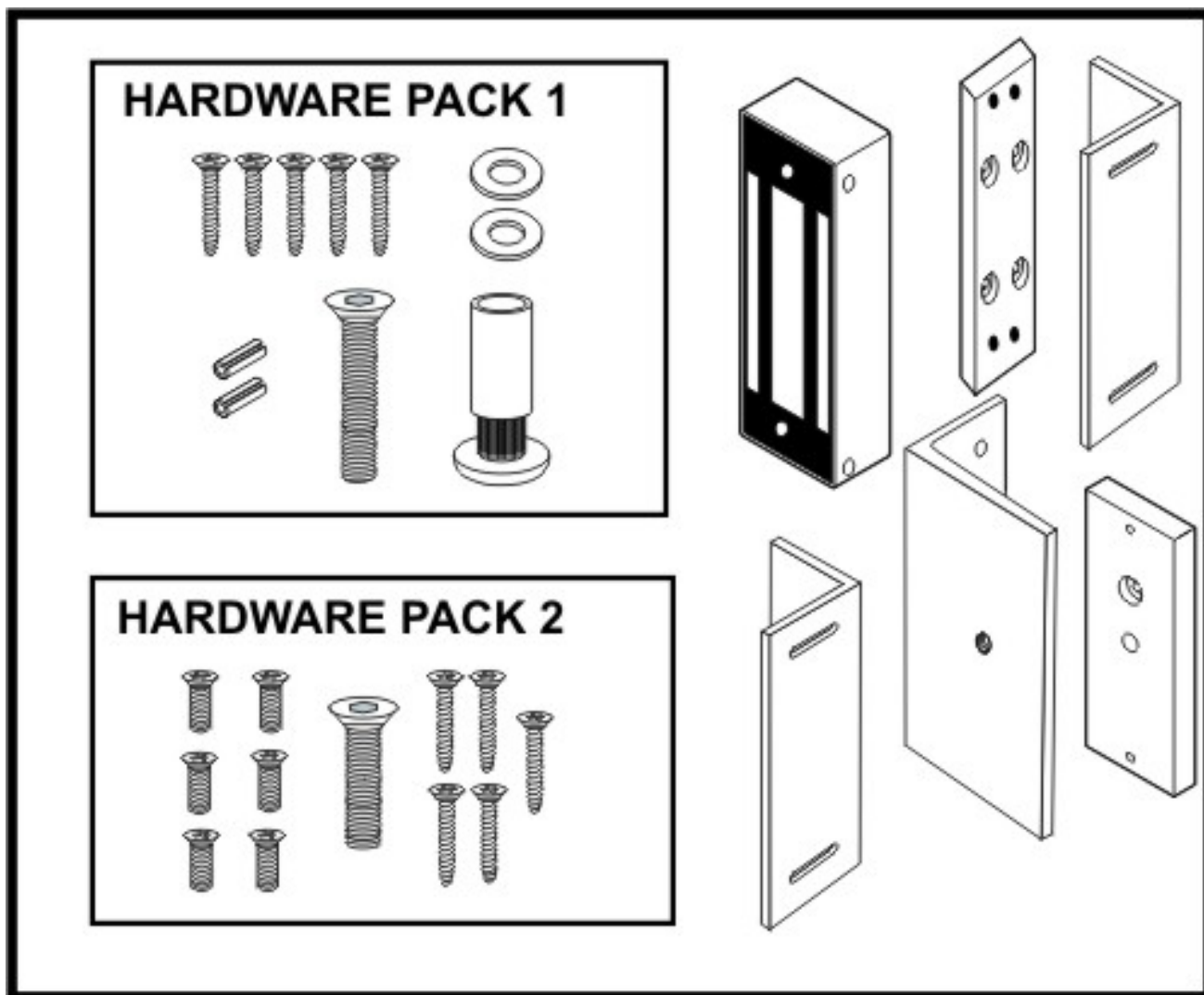


## Sliding Gate application



### L-Z Bracket Assembly (Optional)



**Manufactured by**

**Elsema Pty Ltd**  
31 Tarlington Place, Smithfield  
NSW 2164, Australia  
Ph: 02 9609 4668  
Fax: 02 9725 2663  
Website: <http://www.elsema.com>